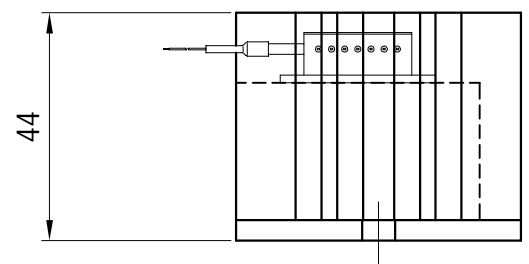
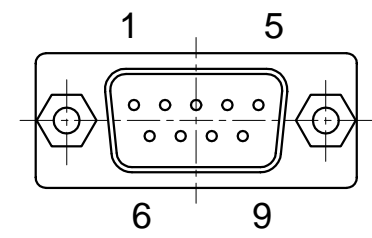
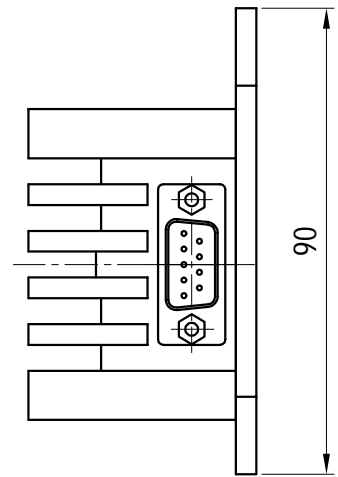
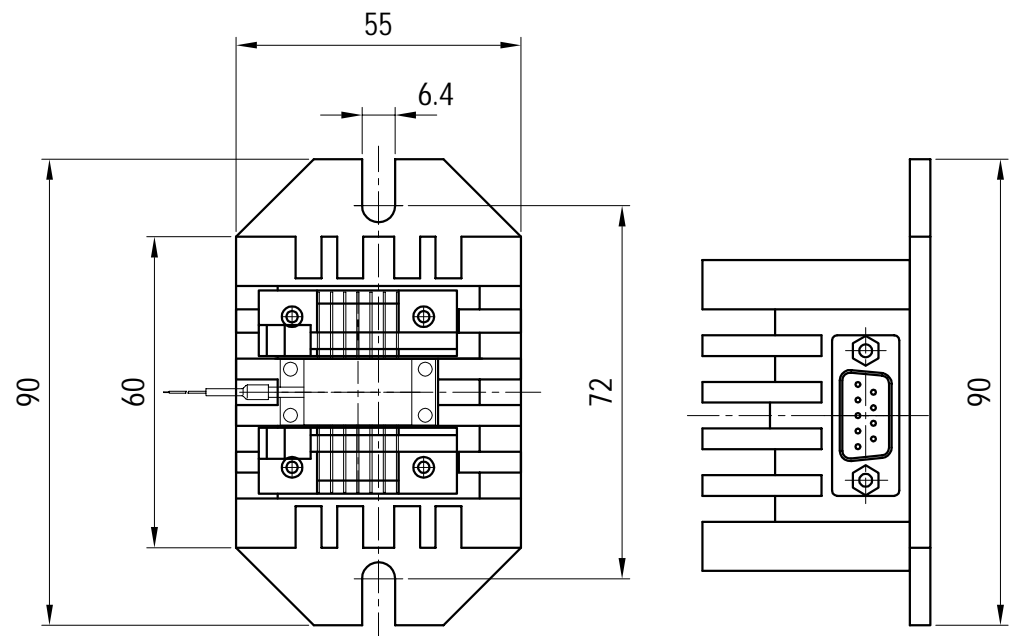


1 2 3 4 5 6 7 8

RevNo Revision note Date Signature Checked

### PINNING

1	Case	
2	Thermistor	
3	Thermistor	
4	TEC anode	(+)
5	TEC cathode	(-)
6	SLD cathode	(-)
7	SLD anode	(+)
8	PD anode	(-)
9	PD cathode	(+)



- Dimensions are for information only.
- All dimensions are in millimeters (mm).

Itemref	Quantity	Title/Name, designation, material, dimension etc			Article No./Reference	
Designed by	Checked by	Approved by - date	File name	Date	Scale	
---	---	10 may 06	SL_GCH.dwg	10 may 06	2 : 1	
Superlum Diodes, Ltd.			Mount DBUT			
			SL.1112.18.000	Edition 03	Sheet 1/1	

1 2 3 4 5 6 7 8